

# Innovative X-Stand™

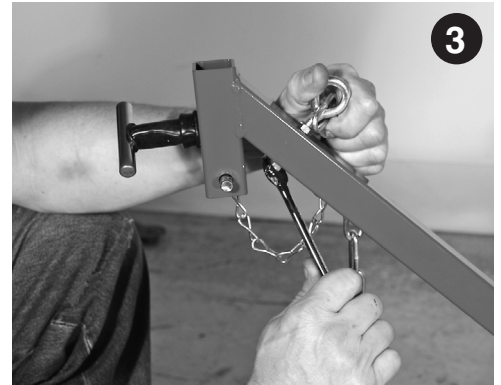
## Assembly Instructions



Insert wheels, tighten with 3/4" hand wrench.



Use 3/8" bolts to connect lower support tube to frame support tube. Tighten firmly with 9/16" wrench.



Install I-bolts using 1/2" hand wrench.



Connect frame support tubes using 3/8" x 3/4" bolt and nylon lock nut. Note: use flat washer between frame support tubes. Do not overtighten.



Insert right and left adjustment tubes. Tighten T-bolt.

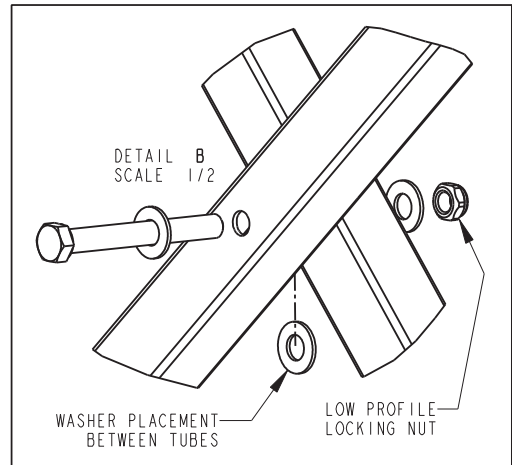
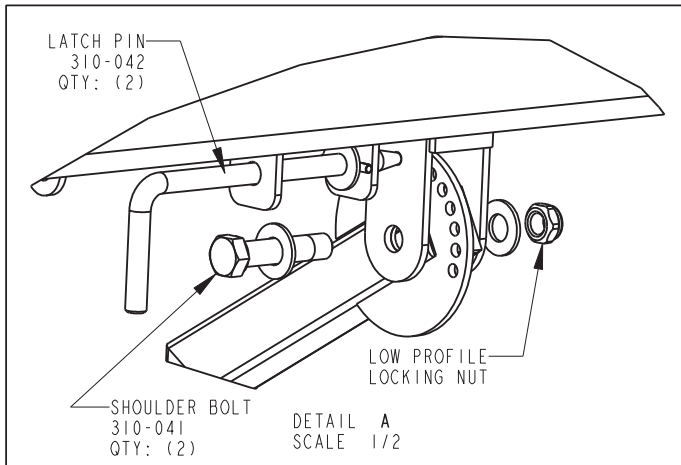
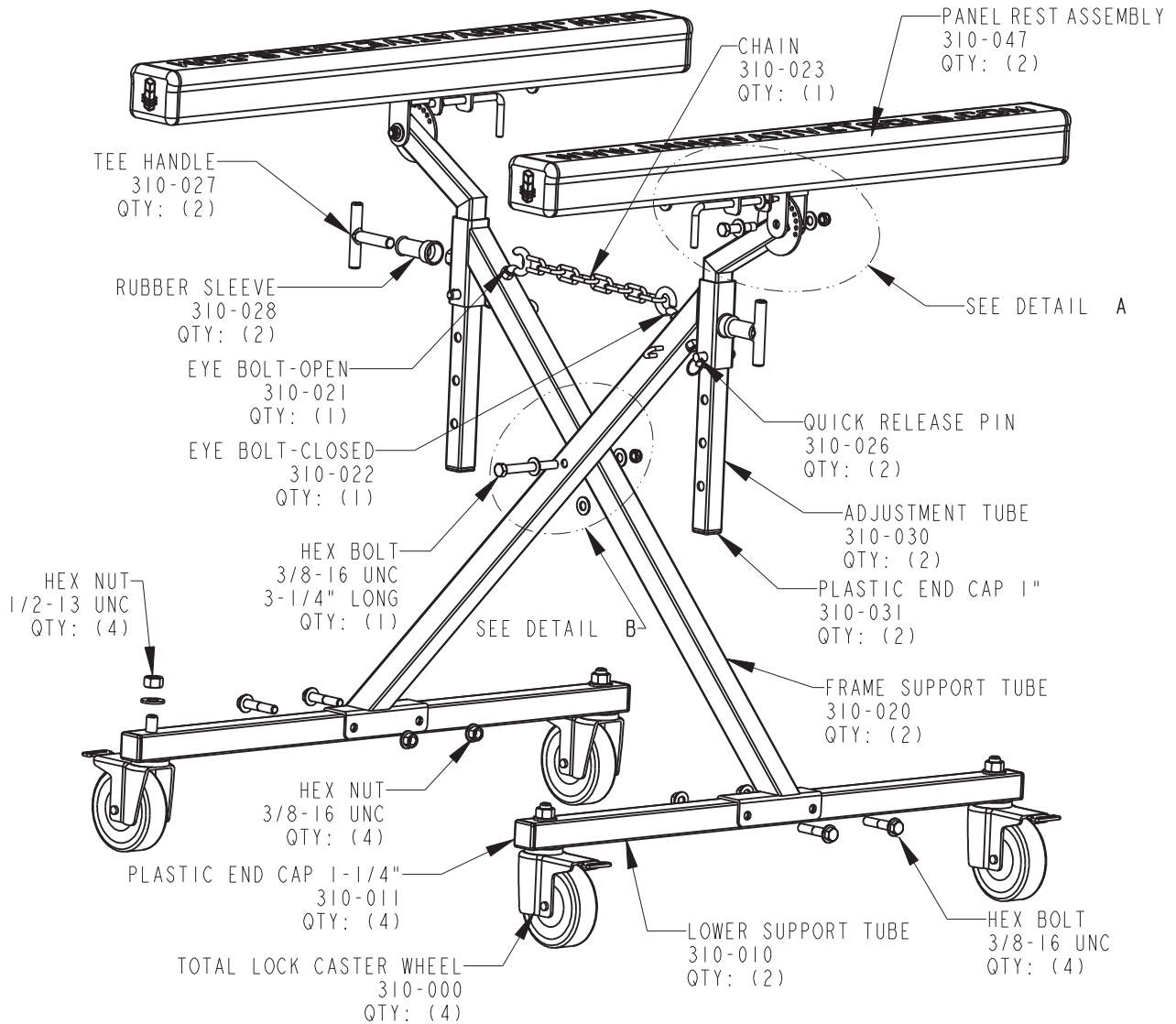


Install panel rest assembly using 3/8" shoulder bolt with two flat washers on each end and nylon lock nut. Note: do not overtighten.



Adjustment tubes can be raised and lowered as well as turned inward depending on your application.

# Innovative X-Stand



REV. B  
09/24/07