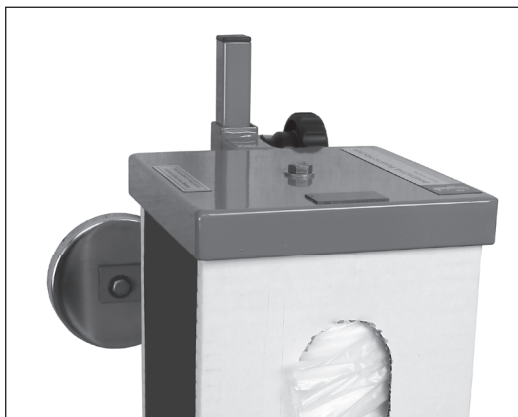
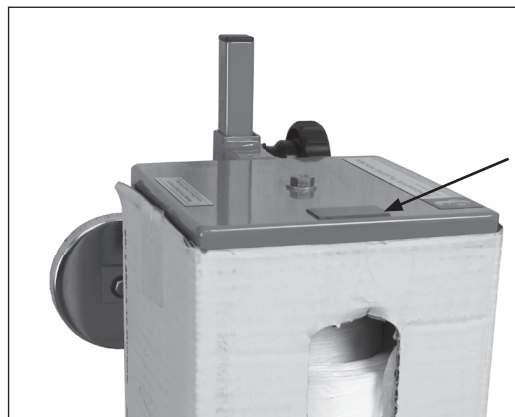


Innovative Plastic Holder™ Assembly Instructions

P/N I-PBH



Smaller boxes fit inside upper and lower box caps.



Magnetic tape to hold razor blade

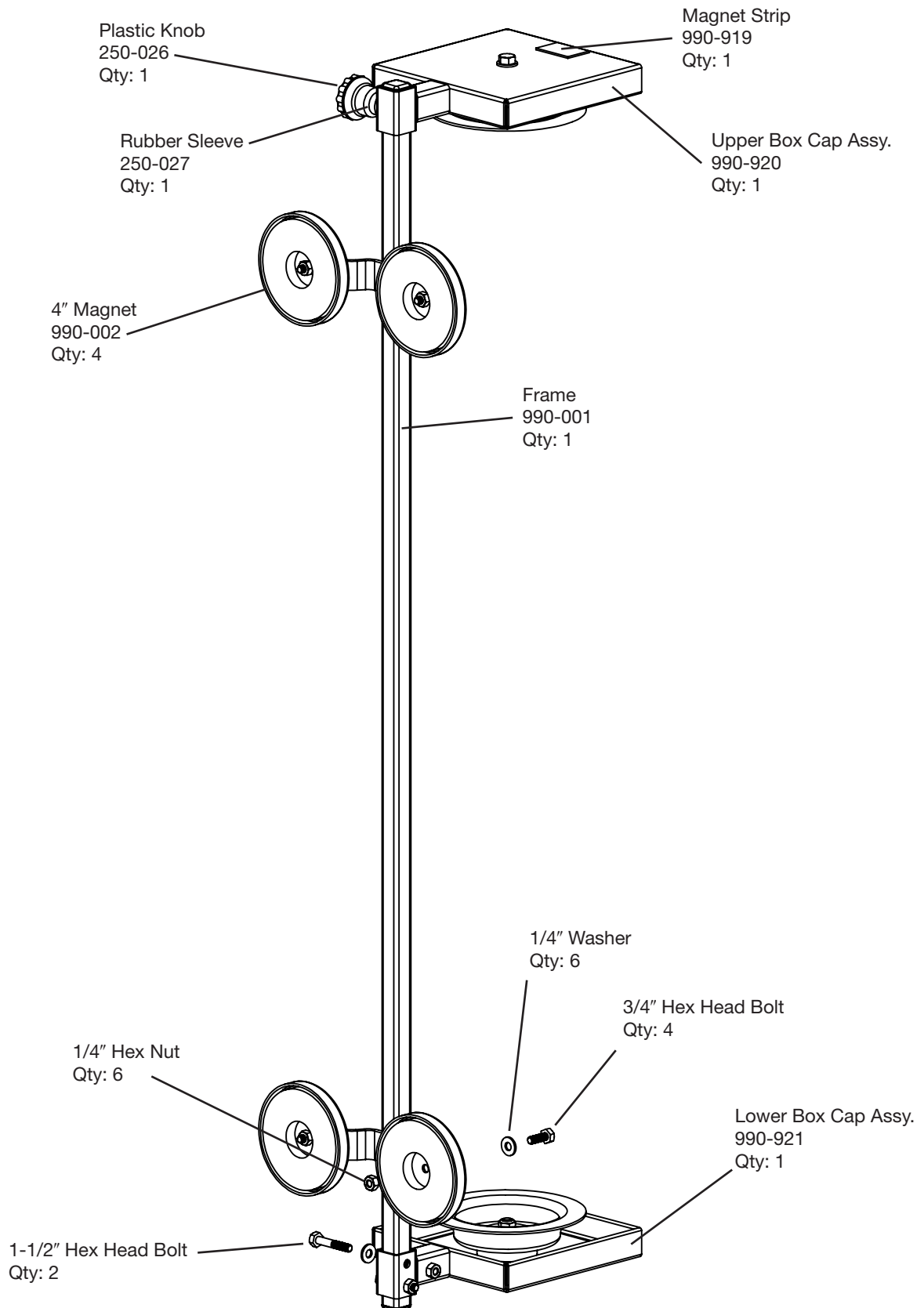


Helpful usage hints

1. When installing boxes, use the vertical position.
2. Cut flaps off of box ends before installing into holder.
3. When dispensing plastic horizontally, always have plastic dispense from top as shown above.
4. Plastic cuts best with straight razor blade against the factory box.
5. Note magnetic tape for storing razor blades.



Innovative Plastic Holder™ P/N I-PBH



If you have any comments, questions or concerns about our products or are missing a part, please contact us toll-free at 1-866-438-4884 or 651-415-0733 or visit www.innovativetools.com/contacts