

Ideal for all bodywork and mechanical work, this trolley is convenient for moving vehicles (with or without motor and without wheels).

Adjustable arms allow loading of vehicles of different sizes.

CHARACTERISTICS

Mobile and secure:

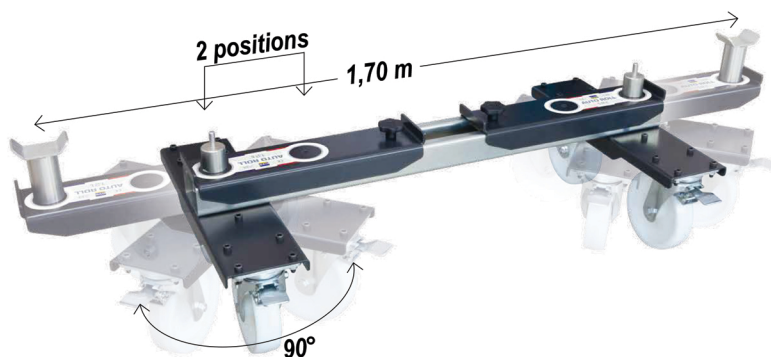
- Rotation of the wheel supports at 90 °
- Easy **positioning**
- 2 wide wheels with **brake**

Adjustable and adaptable:

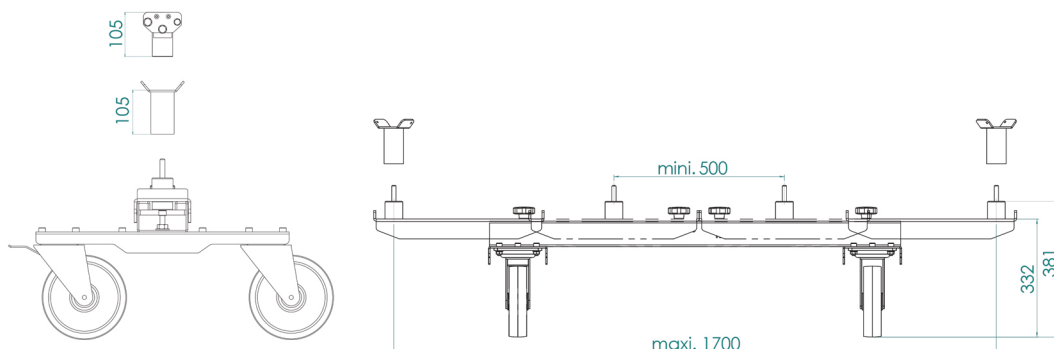
- **Adjustable** lift slides (max. 1,70 m).
- Support pads (included)
- Rocker clips (optional)

Robust structure:

- **Reinforced** mechanics
- Maximum weight: **1,200 kg**



DIMENSIONS



DES ACCESSOIRES SELON LE TYPE DE CARROSSERIE :



Fixed support
(inclus)



Support pads x2
Ref. 059054 (inclus)



Rocker clips x2 *
Ref. 059061 (en option)



Outil n°1
(inclus)



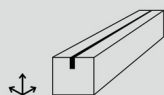
Outil n°2
(inclus)



Outil n°3
(option)

*Recommandation :

The use of the low clamps checkout with the AUTOROLL 1.2T is strongly recommended when large vehicles dimensions must be transported on uneven soils.



1170 x 280 x 260 mm



56 kg



1200 kg max



360 °