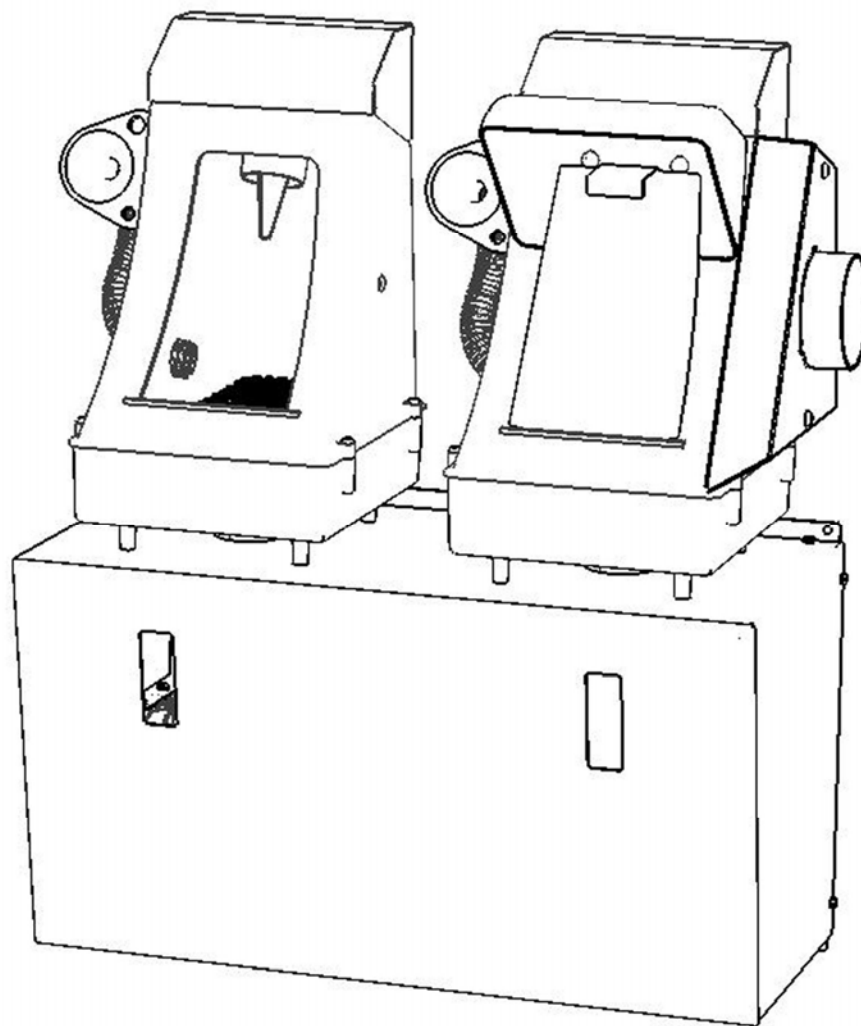


**General instructions  
and  
User's manual  
for**

**DRESTER QUICKRINSE  
QR-TT**

**Spray gun cleaner**



# CAUTION

**Read the General instructions and User's Manual before using the DRESTER QR-TT.**

**Do not use the equipment unless you fully understand the General instructions and User's Manual.**

**The User's Manual must be available when using the unit.**

## GENERAL INFORMATION

This User's Manual will provide important information concerning the DRESTER QR-TT, and will describe how to use the gun cleaner safely. Read the entire User's Manual before using the unit. For safe use, it is important that the unit and the solvents are of the described specifications, and that they are handled properly. It is important that you follow the instructions carefully.

Never use any solvent unless it is provided with an MSDS (Material Safety Data Sheet). Read the MSDS carefully, and follow all the instructions and procedures provided in the MSDS. More information regarding allowed solvents can be found under chapter *PERMITTED SOLVENTS*.

## SAFETY INFORMATION

Hazards may arise from improper use of the DRESTER QR-TT. Hazards may also arise from improper choice/handling of drums or solvent. In order to maintain the high safety standard of the unit, it is important that these instructions are followed.

- Do not operate the unit until you have read and fully understood this entire User's Manual.
- The unit should be intalled as described in the instructions.
- The unit should be used as described in the instructions.
- The unit should be maintained as decribed in the instructions.
- Only original spare parts may be used.
- This User's Manual must be available and in legible condition in close proximity to the unit. Every user shall know where to find the User's Manual.
- Operating instructions should be formulated on the basis of these General Instructions and User's Manual for DRESTER QR-TT, and translated into the language spoken by the employees.
- Do not modify or in any way alter the unit.
- Do not operate the unit unless it is properly vented. The extractor should be connected to a grounded metal ducting vented outside. Do not operate the unit if the extraction of vapors is insufficient.
- Avoid contact with liquid and vapor. Refer to the solvents' MSDS (Material Safety Data Sheet).
- Wear chemical goggles or similar, to protect your eyes. Wear chemical-resistant gloves to prevent skin-contact. Wear chemical-resistant clothing to protect against spills or splash.
- Personnel suffering from respiratory problems or allergies to solvents used, must not operate the machine.
- Clean up spills immediately. Solvent vapors are heavier than air and can spread a long way. They may also collect in pits or other low areas.
- Do not smoke, eat or drink while close to the unit.
- A fire extinguisher (dry chemical type ABC, dry chemical type BC, foam, carbon dioxide or Halon) must always be kept nearby when working with flammable solvents. Do not use water.
- Spray guns cleaned in the unit must be suitable for cleaning in gun cleaning machines classified as Class 1, Division 1 / Zone 1. If unsure, please contact the spray gun manufacturer.
- The unit must be properly grounded. If plastic drums are used for water, the openings should be wiped off with a damp cloth, to avoid static electricity, before inserting or removing any hoses or other equipment.

## PURPOSE OF THE MACHINE

The DRESTER QR-TT is intended to clean air-driven spray guns only, using thinner-based solvents as well as water-based solvents (suitable solvents being described below in chapter “Permitted solvents”).

Description of the unit, seen from the front like the picture below:

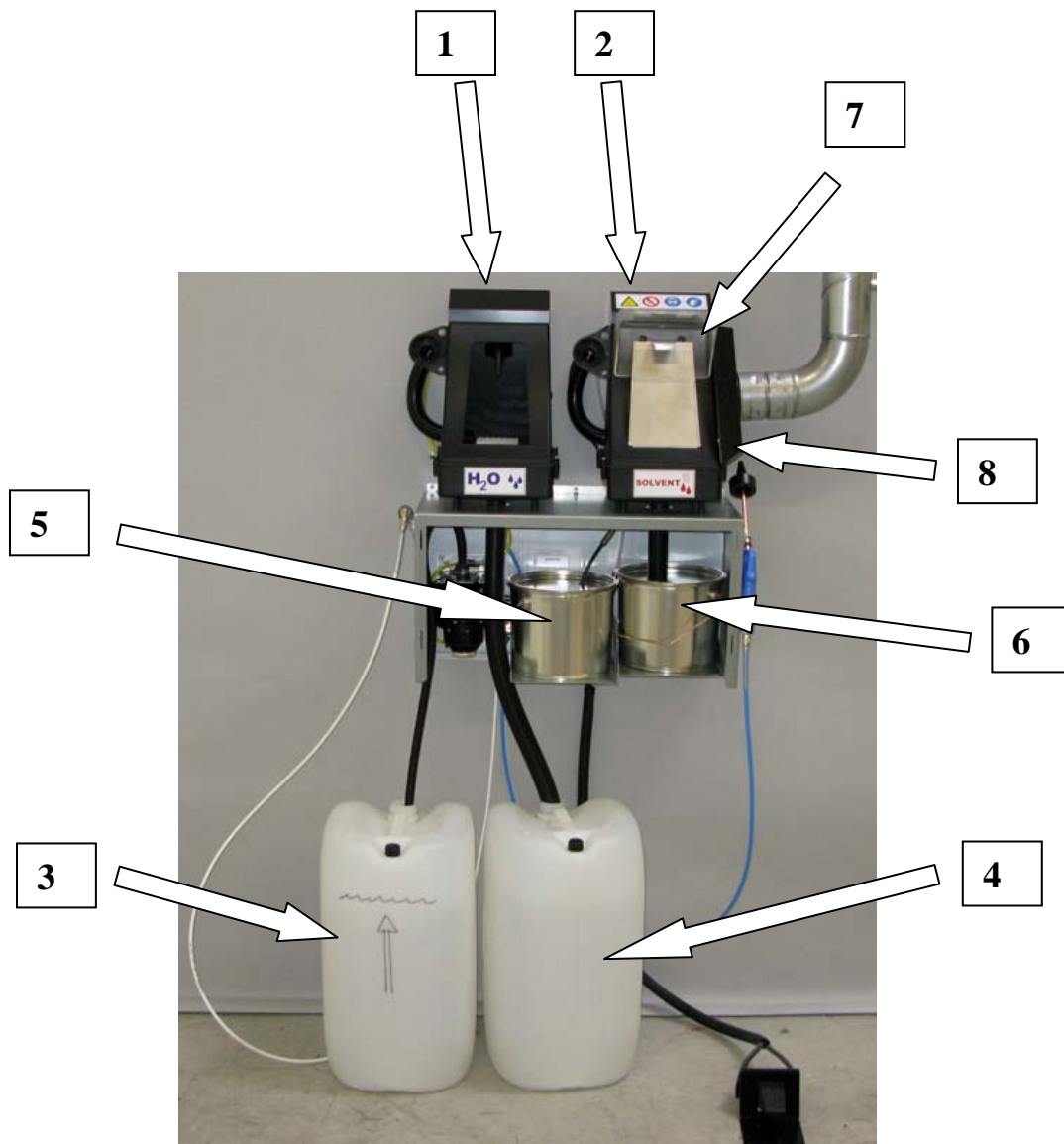
The unit is equipped with 2 cleaning boxes, the left-hand one (item 1) and the right-hand one (item 2).

The left-hand cleaning box is designed to operate with water, or water-based solvents (see chapter “Permitted solvents” below). The water is fed to the cleaning nozzle by a pump, which picks up the water from a drum (item 3) placed on the floor under the unit. The waste water is returned from the left-hand cleaning box to a second drum (item 4) also placed on the floor.

The right-hand cleaning box is designed to operate with Group IIA solvents (see chapter “Permitted solvents” below). The solvent is fed to the cleaning nozzle by a venturi item, which picks up the solvent from a can (item 5) placed on the left-hand shelf inside the unit. The waste solvent is returned from the cleaning box to a second can (item 6) placed on the right-hand shelf inside the unit.

To protect the operator from splashes from the solvent, the right-hand cleaning box is equipped with a see-through shield (item 7). Further to protect the operator from hazardous fumes from the solvent, the right-hand cleaning box is equipped with a ventilation hood (item 8). This hood must be connected to a ventilation system (described below in chapter “Assembly & Installation”).

Since the left-hand cleaning box is not equipped with a splashing shield and ventilation hood, only water or water-based solvents may be used in the left-hand cleaning box.



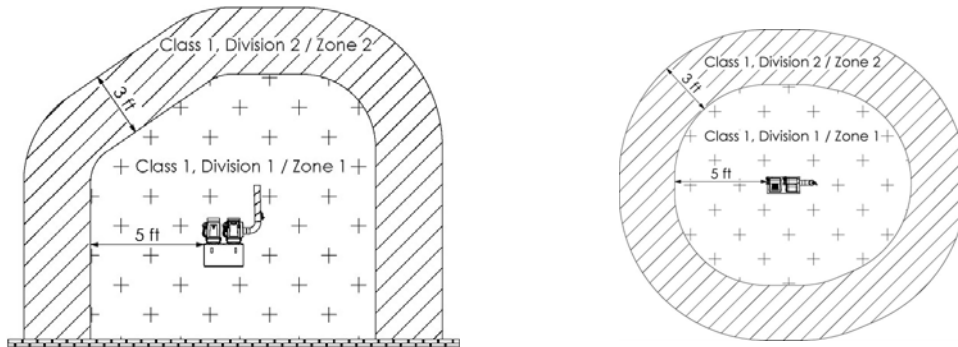
## PLACING THE UNIT

### Area classification

The DRESTER QR-TT can be placed in locations classified as Class 1, Division 1 / Zone 1.

If the DRESTER QR-TT is installed in locations classified as Class 1, Division 2 / Zone 2, or in unclassified locations, the area within 5 feet from the unit is to be classified as Class 1, Division 1 / Zone 1. Outside said area, another 3 feet is to be classified as Class 1, Division 2 / Zone 2 (see picture below).

Within these classified areas of Class 1, Division 1 / Zone 1 and Class 1, Division 2 / Zone 2, all equipment, such as electrical items and ventilation equipment, must be approved for the applicable Division / Zone. Equipment that generates naked flames or sparks (e.g. welding or grinding equipment) may not be used in this area. Smoking is not permitted. If in any doubt, contact the local fire service authorities for advice.



### Fire extinguisher

A fire extinguisher (dry chemical type ABC, dry chemical type BC, foam, carbon dioxide or Halon) must always be kept nearby when working with flammable solvents. Do not use water.

### Drain water protection

The unit must be placed in a location where any accidental leakage of solvent is prevented from spreading into the drain water system.

## PERMITTED SOLVENTS

The left-hand cleaning box of the unit is designed for cleaning with water, or water-based solvents intended for the cleaning of spray-guns that have been used for painting with water-based paint systems.

The right-hand cleaning box of the unit is designed for cleaning with solvents and solvent mixtures for spray-gun cleaning, such as acetone, toluene, isobutanol (2-methylpropan-1-ol) that are listed as Group IIA according to IEC 79-20 (EN 60079-20).

**NOTE: Solvents of the latter kind may NOT under no circumstances be used in the left-hand cleaning box of the unit.**

Solvent for use with the DRESTER QR-TT is not provided by Hedson Technologies. On the market, there are numerous solvents and these instructions cannot account for them all. Only use the unit with solvents intended for spray gun cleaning, such as lacquer thinner. Lacquer thinner is a generic term for solvent mixtures, commonly containing such ingredients as e.g. Acetone, Toluene, Xylene and iso-Butanol. The right-hand side of the unit can be used with solvents classified as Group IIA according to IEC 60079-20. The left-hand side of the unit can be used with water or water-based solvents. All solvents must have a pH value between 4 and 10. Be sure not to mix water-based solvents with thinner-based solvents. It is important that all users are informed of what solvent is being used in either of the cleaning boxes at all times.

Never use any solvent if it is not provided with an MSDS (Material Safety Data Sheet). Read the MSDS carefully, and follow all the instructions and procedures provided in the MSDS. If unsure, or if more information is needed concerning the solvent, please contact your solvent supplier.

Do not add other chemicals to the solvent including, but not limited to, kerosene, gasoline, detergents, fuel oil or chlorinated solvents.

## ASSEMBLY & INSTALLATION

### Assembly

Assemble, install and prepare the unit for use by following the enclosed separate document “*Assembly & installation DRESTER QR-TT*”, (document no. 15138).

### Ventilation

There are two different options for the unit’s ventilation. For both options, it must be ensured that the speed of the air flow over the opening of the right-hand cleaning box is at least 0.5 m/s (this corresponds to a ventilation volume of 250 m<sup>3</sup>/h 160 cfm). The ventilation must be connected in a way that ensures the grounding of all parts.

**Option 1:** Connect the extraction hood (item 1 picture below) to a metal ducting (item 2 picture below), which is in turn connected to a ventilation system approved for Zone 1. The ventilation volume must be at least 250 m<sup>3</sup>/h (160 cfm).

**Option 2:** Fit an air-driven DRESTER AIRVENT 15140 to the extraction hood and connect this to a metal ducting. This ducting can either lead outdoors or be connected to a ventilation system approved for Zone 1. The ducting must have a smooth inner surface, may not be longer than 15 metres and shall be installed so that it is as straight as possible (fitting instructions are supplied with the AIRVENT).

### Compressed air

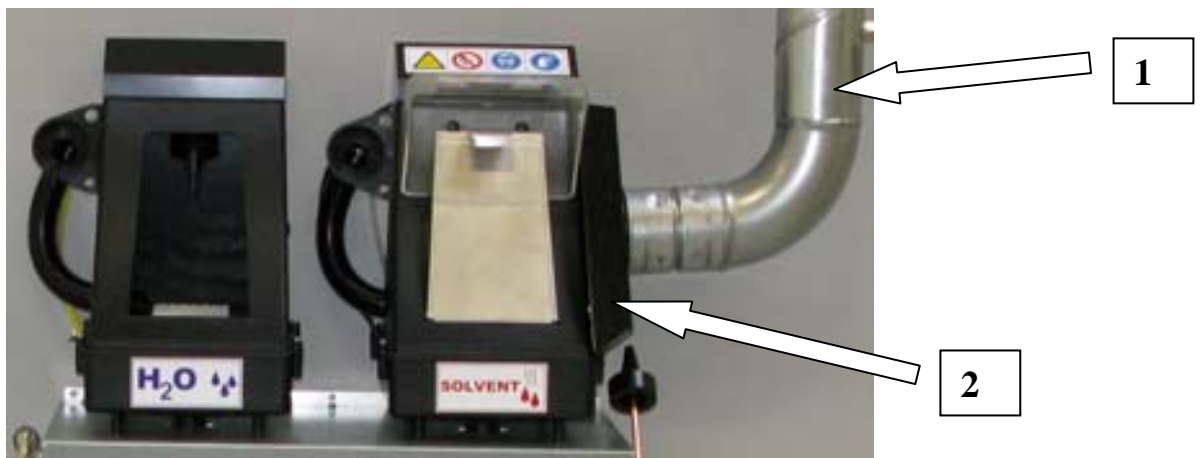
The unit must be connected to compressed air of 5-12 bar (80-180 psi). When in use, the unit consumes 100 litres/min (4 cfm) of air. The compressed air supplied to the unit must be clean and dry. If it is not first led through a water trap and filter, it may cause damage to the pneumatic components of the unit, which will invalidate any warranty claims.

### Grounding

Make sure that the unit is properly grounded.

### Instructions for use

Operating instructions should be formulated on the basis of this manual and translated into the language spoken by the employees. It should always be available close to the machine.



## OPERATING INSTRUCTIONS

Follow the sequence of pictures at the end of this manual.

## SERVICE

(see picture below)

### Change of water (left-hand side of the unit):

Pull the suction hose from the pump (item 1) out of the fresh water container (item 2) under the unit and refill it with fresh water. Put the container back under the unit and insert the suction hose from the pump all the way down.

Empty the container for return water (item 3) under the unit into a suitable waste drum for hazardous waste, or into a suitable unit where the return water can be separated from the paint residuals by using the "Flocculation technology". Such units are the DRESTER Gun Cleaner units 1000, 950, 1050, 9000-TT, 1200 and 2000-TT.

Put the container back under the machine and insert the drain hose from the left-hand cleaning box (item 4) into the container.

### Change of solvent (right-hand side of the unit):

Remove the Front cover.

Pull the suction hose (item 5) out of the left-hand can (item 6) (placed inside the body of the unit). Refill it with solvent (Ref chapter "Permitted solvent" above).

Put the can back on the left-hand shelf and insert the suction hose all the way down.

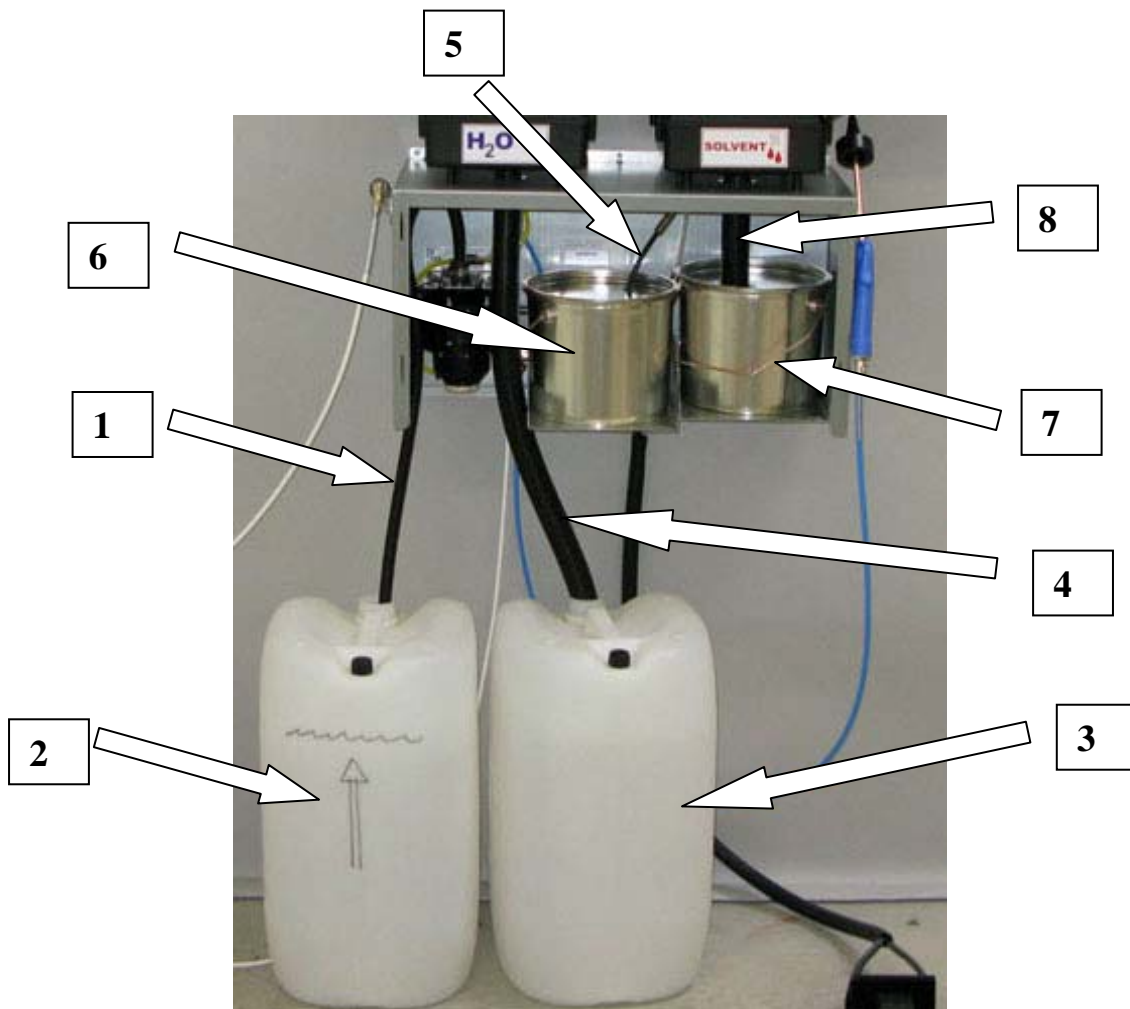
Empty the right-hand can for return solvent (item 7) (placed inside the body of the unit) into a suitable waste drum for hazardous waste, or into a solvent recycler for reuse.

Put the can back on the right-hand shelf so that the drain hose from the right-hand cleaning box (item 8) runs into the hole of the can.

Refit the Front Cover.

### Other:

- Replace the brush inside the cleaning box on either side whenever needed.
- Make sure the User's Manual is legible and in a place where all users can find it.
- Make sure all decals are legible.



## TECHNICAL DATA

Manufacturer

HEDSON TECHNOLOGIES AB  
Hammarvägen 4  
SE-232 37 Arlöv  
Sweden  
Tel.: +46-40- 53 42 00

Distributed in North America by

Hedson North America, Inc.  
466 Speers Rd. 3rd Floor  
Oakville, Ontario  
Canada L6K 3W9  
Phone: 905 339 2800  
Fax: 416-352-5738  
Toll Free: 866-478-4328  
E-mail: sales@hedsonna.com

Type of machine:

DRESTER Quick Rinse QR-TT

Permitted solvents:

See section "Permitted Solvents"

Liquid volume of machine:

3 litres of solvent, amount of water depending on chosen size of container

Compressed air needed:

5-12 bar (80-180 psi), 100 l/min (4 cfm)

Pump capacity:

2 l/min

Weight

16 kg (32 lb)

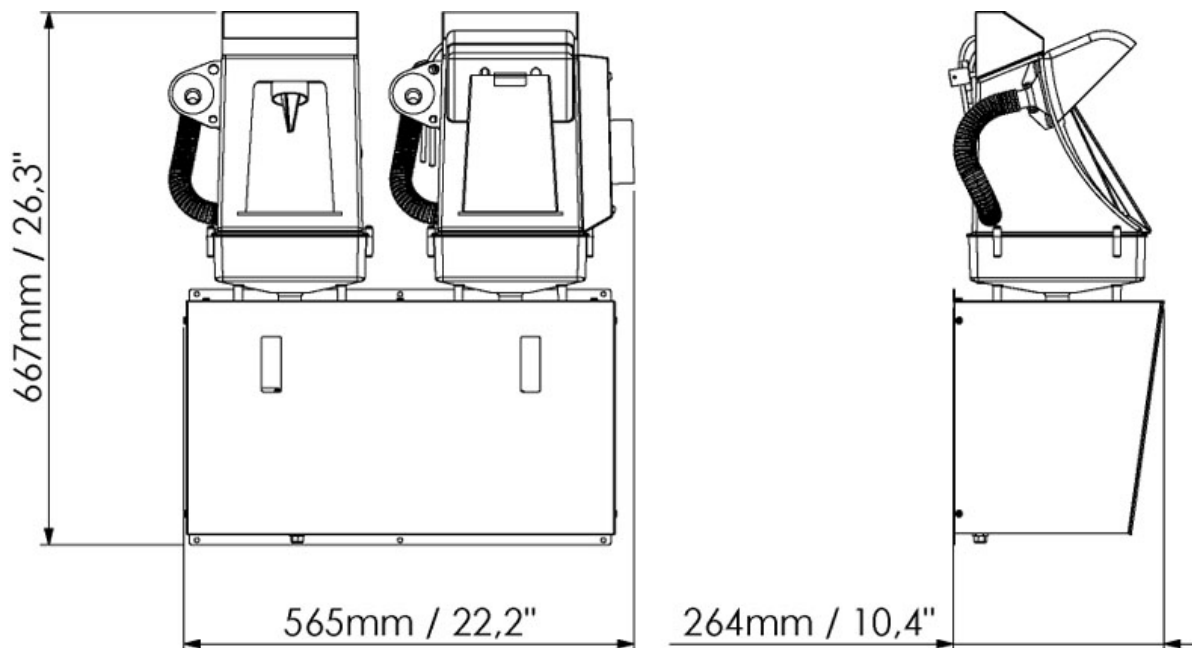
Overall dimensions:

See illustration below

Sound pressure level:

<70 dB(A)

Patent pending



## WARRANTY

Hedson Technologies AB will replace all faulty parts on the DRESTER Quick Rinse QR-TT with new parts in accordance with the "Warranty Terms for Hedson Technologies AB No. 7.2-8". This warranty only remains valid if the machine is used in the prescribed manner, and it does not cover the cost of repairs other than parts. Always state the machine's serial number and year of manufacture if making a claim under warranty. These can be found on the machine's silver-coloured rating plate. The warranty terms may vary from country to country. Hedson North America, Inc. can provide you with details.

## OPERATING INSTRUCTIONS

1a



Remove the airline.

1b



Turn the gun over, pull the trigger to allow the paint to return to the cup.

1c



Remove the cup.



## CLEANING WATER BORNE:

2a



Place the paint channel over the nozzle in the left-hand cleaning box. Press the spray-gun up against the nozzle, **and pull the trigger.** Allow the pump to strike 3 strokes.

**Keep the trigger compressed throughout the procedure !**

2b



Rub the air-cap of the spray-gun against the brush while pulling the trigger.

**Repeat step 2a and 2b if needed**

2c



Connect the airline.  
Blow out excess water through the funnel.

## CLEANING SOLVENT BASED:

2a



Place the paint channel over the nozzle and pull the trigger. Press the foot-pedal and rinse the paintchannel of the spraygun.

**Keep the trigger compressed throughout the procedure !**



2b



Rub the air-cap of the spray-gun against the brush while pulling the trigger.

**Repeat step 2a and 2b if needed**

2c



Connect the airline. Blow out excess water through the funnel.

3



Using the airgun of the unit, remove the remains of water from the outside as well as the paint channel of the spray-gun.