

# PosiTector® 6000 Series

## Coating Thickness Gages for **ALL** Metal Substrates



### **NEW!** PosiTector App



Mobile app connects PosiTector Advanced instruments to your *iOS* or *Android* smart device.

**DeFelsko®**  
The Measure of Quality



Available on the  
App Store



PosiTector®  
**SmartLink**  
Compatible



# PosiTector® 6000 Series

## All Gages Feature...

### Simple

- Ready to measure—no adjustment required for most applications
- Enhanced one-handed menu navigation
- Flashing display—ideal in a noisy environment
- RESET feature instantly restores factory settings

### Durable

- Solvent, acid, oil, water and dust resistant—weatherproof
- Wear-resistant probe tip
- Shock-absorbing, protective rubber holster with belt clip
- Two year warranty on gage body AND probe

### Accurate

- Certificate of Calibration showing traceability to NIST or PTB included
- Built-in temperature compensation ensures measurement accuracy
- Hi-RES mode increases displayed resolution for use on applications that require greater precision
- Conforms to national and international standards including ISO and ASTM

### Versatile

- PosiTector body universally accepts all PosiTector 6000, 200, RTR, SPG, DPM and UTG probes easily converting from a coating thickness gage to a surface profile gage, dew point meter or ultrasonic wall thickness gage
- Multiple calibration adjustment options including 1 point, 2 point, known thickness, average zero
- Selectable display languages
- High contrast reversible color LCD with backlit display
- Flip Display enables right-side-up viewing
- Extended cables available (up to 75 m/250 ft) for remote measuring
- Uses alkaline or rechargeable batteries (built-in charger)

### Powerful

- Continually displays/updates average, standard deviation, min/max thickness and number of readings while measuring
- Screen Capture—save screen images for record keeping and review
- HiLo alarm audibly and visibly alerts when measurements exceed user-specified limits
- FAST mode—faster measurement speed for quick inspection
- USB port for fast, simple connection to a PC and to supply continuous power. USB cable included.
- PosiSoft USB Drive—stored readings and graphs can be accessed using universal PC/Mac web browsers or file explorers. No software required.
- Every stored measurement is date and time stamped
- Software updates via internet keep your gage current
- Includes PosiSoft suite of software for viewing and reporting data (see right panel)

## Probes available for a variety of applications



For measuring paint, powder, etc. on all metals...



...and for measuring galvanizing, plating, anodizing and more.

### Standard Models

**Includes ALL features as shown on left plus...**

- Storage of 250 readings—stored readings can be viewed or downloaded

### Advanced Models

**Includes ALL features as shown on left plus...**

- Storage of 100,000 readings in up to 1,000 batches and sub-batches
- Real time graphing and batch notes
- Batch annotation—add notes and change batch names with onscreen QWERTY keyboard
- Scan mode—take continuous readings without lifting the probe
- Multiple stored calibration adjustments for measuring on a variety of substrate conditions
- SSPC-PA2 feature determines if film thickness over a large area conforms to user-specified min/max levels
- PSPC 90/10 feature determines if a coating system complies with an IMO performance standard for protective coatings
- WiFi technology wirelessly synchronizes with PosiSoft.net and downloads software updates
- Data transfer via USB to a PC or via Bluetooth® Wireless Technology to a mobile device, PC or printer

### NEW PosiTector App

- Mobile app connects PosiTector Advanced instruments to your *iOS* or *Android* smart device
- Auto-pairing *Bluetooth BLE* connection
- Easily create custom reports from your measurement data in seconds
- Export readings to PosiSoft Desktop or synchronize readings with PosiSoft.net for further reporting and archival options
- For a complete list of features visit [www.defelsko.com/PosiSoft](http://www.defelsko.com/PosiSoft)



### Select from a variety of measurement ranges and probe styles

(see back page ordering guide)

**Heavy-duty, gold-plated locking connector for industrial environments**

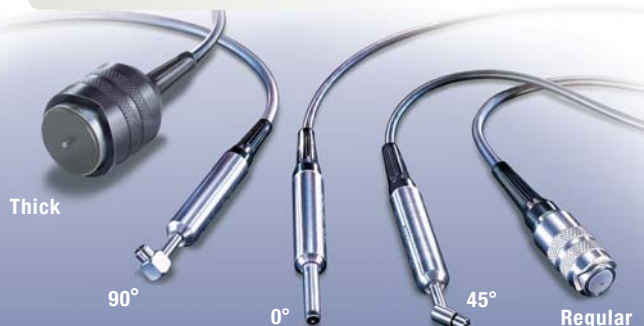


Cabled Probe Style



Built-in Probe Style

Removable Probes can be detached and replaced with any one of our wide variety of probes including separate probes and microprobes



Thick

90°

0°

45°

Regular



## Rugged Features...

Sealed USB Port  
for communicating  
with a PC or Mac

Water and dust  
resistant



High contrast reversible  
color LCD with  
backlit display

Scratch/solvent/impact  
resistant lens

Multi-function  
navigation button

Solvent, acid, oil  
resistant, high grade,  
industrial strength  
housing

**Advanced  
Model shown  
in Memory Mode**

Quality high-flex  
cable and strain relief

Stainless steel probe  
with knurled finger grip

Strong wear-resistant  
ruby-tipped probe

All Regular Cabled Probes  
are suitable for underwater use



**NEW!  
Duplex  
probe**

**FNDS Probe** measures individual layer thicknesses  
of zinc and paint in a duplex coating system



**FHX Probe** with Alumina wear face and  
braided cable for hot or rough surfaces



**Flip Display** enables right-side-up viewing



**Microprobe** series for small parts  
and hard-to-reach areas

## PosiSoft® ... **FREE SOLUTIONS** for viewing, analyzing and reporting data:



### PosiSoft Desktop

Powerful desktop software for  
downloading, viewing, printing  
and storing measurement data.  
Includes customizable, templated  
PDF Report Generator. No internet  
connection required.

### PosiSoft.net

A web-based application offering secure centralized  
management of readings. Includes customizable,  
templated PDF Report Generator. Access your  
data from any web-connected device.



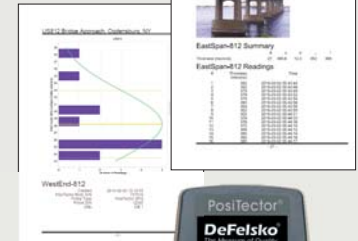
### PosiTector App

Mobile app connects PosiTector  
Advanced instruments, the  
PosiTector SmartLink and the  
PosiTest AT-A to your *iOS* or  
*Android* smart device.



### PosiSoft USB Drive

A simple gage interface to retrieve  
data in a manner similar to USB  
flash drives, cameras, or digital  
audio players. No software to  
install or internet connection  
required.



**PosiTector bodies  
accept all 6000,  
200, RTR, SPG, DPM  
and UTG probes**

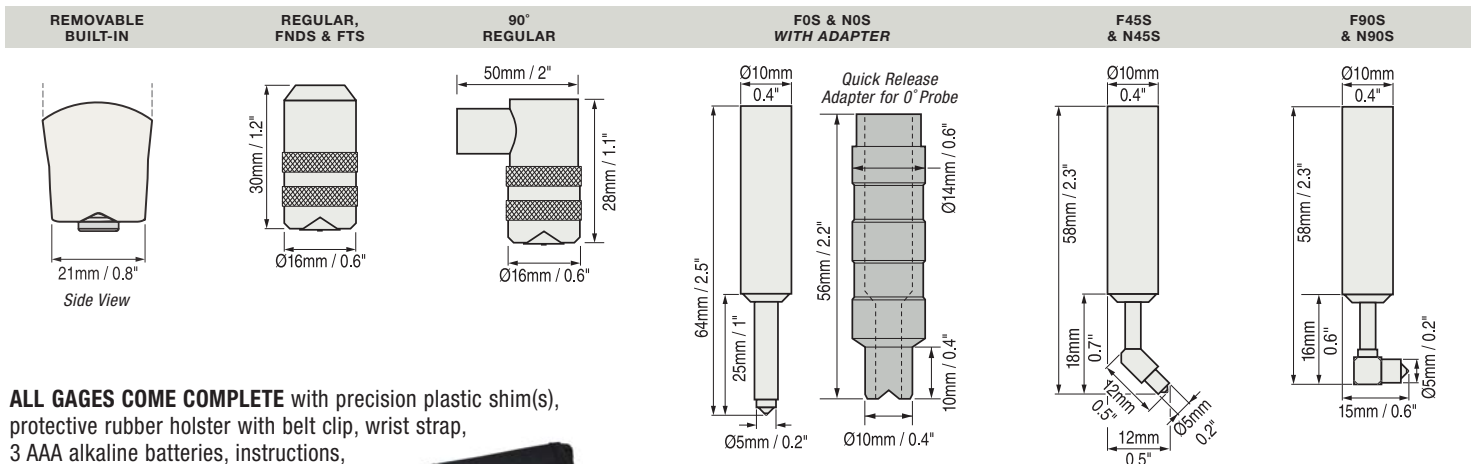


PosiTector® <b>6000 Series</b>		Our most popular Removable Built-in and Regular Cabled probe models			90° Regular probe for tight spots	Ideal for duplex coating systems	Ideal for anodized aluminum	Microprobes – Our smallest probes for small parts or hard-to-reach areas			Removable Built-in and Cabled probes for thick protective coatings; epoxy, rubber, intumescent fireproofing and more							
		ORDERING GUIDE																
FERROUS PROBES	Standard	F1	FS1	FXS1*	FRS1			FOS1	F45S1	F90S1	FT1	FTS1	FHXS1**	FKS1	FLS1			
	Advanced	F3	FS3	FXS3*	FRS3			FOS3	F45S3	F90S3	FT3	FTS3	FHXS3**	FKS3	FLS3			
NON-FERROUS PROBES	Standard	N1	NS1		NRS1		NAS1	NOS1	N45S1	N90S1			NKS1					
	Advanced	N3	NS3		NRS3		NAS3	NOS3	N45S3	N90S3			NKS3					
COMBINATION PROBES	Standard	FN1	FNS1		FNRS1	FNDS1^					FNTS1				FNGS1†			
	Advanced	FN3	FNS3		FNRS3	FNDS3^					FNTS3				FNGS3†			
Range		0–60 mils 0–1500 µm				Ferrous: 0–45 mils and 0–1150 µm Non-Ferrous: 0–25 mils and 0–625 µm				0–250 mils 0–6 mm		0–400 mils 0–10,000 µm		0–500 mils 0–13 mm		0–1.5 inches 0–38 mm		0–2.5 inches 0–63.5 mm
Accuracy‡		±(0.05 mil + 1%) 0-2 mils ±(0.1 mil + 1%) >2 mils  ±(1 µm + 1%) 0-50 µm ±(2 µm + 1%) >50 µm				±(0.02 mil + 1%) 0-4 mils ±(0.1 mil + 3%) >4 mils  ±(0.5 µm + 1%) 0-100 µm ±(2 µm + 3%) >100 µm				±(0.5 mil + 1%) 0-100 mils ±(0.5 mil + 3%) >100 mils  ±(0.01 mm + 1%) 0-2.5 mm ±(0.01 mm + 3%) >2.5 mm		±(0.1 mil + 3%) ±(1 mil + 3%)		±(1 mil + 3%) ±(0.02 mm + 3%)		±(0.01 in. + 3%) ±(0.2 mm + 3%)		
Matching DeFelsko Calibration Standards		STDS1 STDA1				STDS2 STDA2				STDP1		STDP7		STDP5		STDP8		STDP8 (included)

**Ferrous probes** measure non-magnetic coatings on ferrous metals. **Non-Ferrous probes** measure non-conductive coatings on non-ferrous metals. **\*FXS Xtreme probe** with Alumina wear face. Ideal for rough surfaces. **\*\*FHXS Xtreme probe** with Alumina wear face and braided cable measures non-conductive coatings on steel. Ideal for rough or hot surfaces up to 250° C (500° F). **^FNDS probes** for full accuracy information see website. **†FNGS probe** measures non-conductive coatings on all metals. ‡Accuracies are stated as a fixed value plus a percentage of the gage's actual reading.

## Probe Details

(All probe details can be found online at [www.defelsko.com/p6000/probes](http://www.defelsko.com/p6000/probes))



**ALL GAGES COME COMPLETE** with precision plastic shim(s), protective rubber holster with belt clip, wrist strap, 3 AAA alkaline batteries, instructions, protective lens shield, convenient carrying case, Long Form Certificate of Calibration traceable to NIST or PTB, USB cable, PosiSoft Software, two (2) year warranty.

**SIZE:** 137 x 61 x 28 mm  
(5.4" x 2.4" x 1.1")

**WEIGHT:** 140 g (4.9 oz.)  
without batteries

Conforms to ISO 2178/2360/2808,  
ISO 19840, ASTM B499/D1186/  
D1400/D7091/E376/G12, BS3900-C5,  
SSPC-PA2 and others



### Options

**Coating Thickness Standards** to fulfill both ISO and in-house quality control requirements

**Extended Cables** for under-water or remote measuring. Specify length when ordering.



**For a complete list of product features and available options visit [www.defelsko.com](http://www.defelsko.com)**

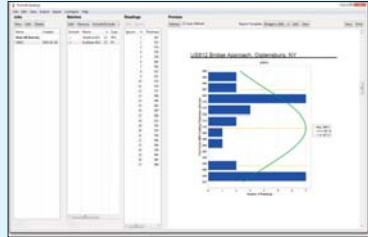
# PosiSoft® Suite of Software

Four FREE and unique ways to view and report your PosiTector and PosiTest data

## PosiSoft Desktop (v 4) — PC/Mac

Powerful desktop software for downloading, viewing, printing and storing measurement data. No internet connection required.

- Import readings directly from the gage via USB or from legacy PosiSoft desktop versions
- Export settings and templates for backup and sharing
- Report preview automatically refreshes as changes are made



## PosiSoft.net — Web-based

A web-based application offering secure centralized management of readings. Access your data from any web-connected device.

- Synchronize measurement data when connected via USB, Bluetooth or WiFi wireless technology
- Securely store measurement data in the cloud and share with authorized users via a secure login



Jobs    Batches    Readings

## PosiTector App — Mobile

Mobile app connects PosiTector Advanced instruments, the PosiTector SmartLink and the PosiTest AT-A to your iOS or Android smart device.

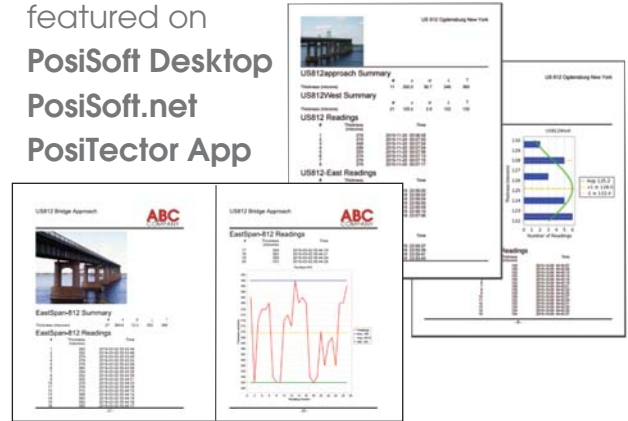
- Auto pairing Bluetooth BLE connection
- Automatically generate user-formatted reports and share via email, text, cloud storage services like Dropbox, and more
- Export readings to PosiSoft Desktop or synchronize readings to and from PosiSoft.net for further reporting and archival options



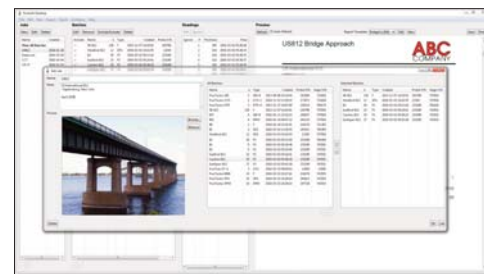
## PosiSoft Custom PDF Report Generator

Easily create reports from your measurement data in seconds.

featured on  
**PosiSoft Desktop**  
**PosiSoft.net**  
**PosiTector App**



- Include inspection information such as on-site pictures, screen captures, notes and more to communicate important details
- Create and save multiple custom layouts as templates – insert cover pages, add logos/images, and select font and point size
- Select the information to include for each product type – charts, histograms, readings, time stamps and more
- Compile multi-batch reports from one or more probes and instrument types
- Export readings as comma separated value (.CSV) files which can easily be imported into Excel and other supporting applications



**NEW Jobs** feature consolidates batches into groups to keep measurement data organized and to quickly create multi-batch reports (not available on PosiTector App)

## PosiSoft USB Drive — Gage Based



A simple gage interface to retrieve data in a manner similar to USB flash drives, cameras, or digital audio players. No software to install or internet connection required.

- View and print readings and graphs using universal PC/Mac web browsers and file explorers
- Measurement data can be printed quickly from a formatted HTML report or exported in .CSV format for further analysis in spreadsheets
- Simple file management - Copy and paste measurement data from the PosiTector to a local folder on your computer, network folder or cloud drive
- Access stored screen captures (snapshots) of the PosiTector display

**DeFelsko®**  
The Measure of Quality

DeFelsko Corporation 800 Proctor Ave., Ogdensburg, New York 13669-2205 USA  
Toll Free: 1-800-448-3835 • Tel: +1-315-393-4450 • Fax: +1-315-393-8471  
techsale@defelsko.com • www.defelsko.com

  
Made in U.S.A.