

GRIFFON BENCH

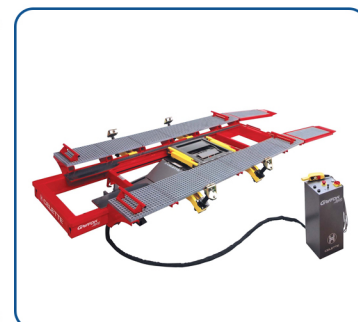
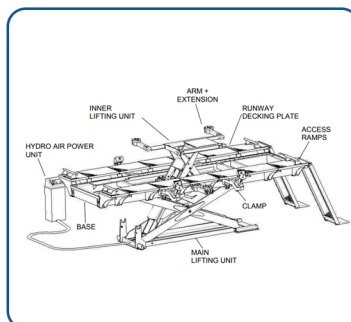
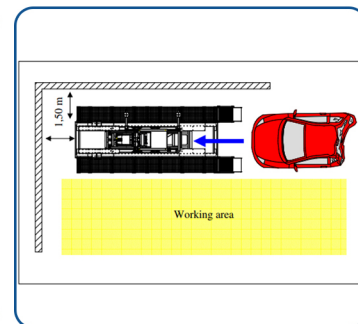
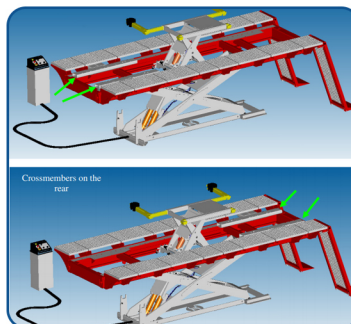
DOUBLE ENTRY WITH SEVENNE PULLING

UNIT AND NAJA 3D MEASURING

CODE: GR16F.38321.3



GRIFFON EVO 380V TRI DOUBLE ENTRY EQUIPPED WITH SILL CLAMPS + DECKING PLATES AND ACCESS RAMPS WITH SEVENNE PULLING UNIT WITH PULLING EXTENSION + SAFETY CABLE WITH ELECTRONIC MEASURING SYSTEM NAJA IN REAL 3D (WITHOUT BATTERIES AND WITHOUT COMPUTER).



Phone: (02) 9772 9000

<https://shop.sape.com.au/products/GR16F.38321.3>

