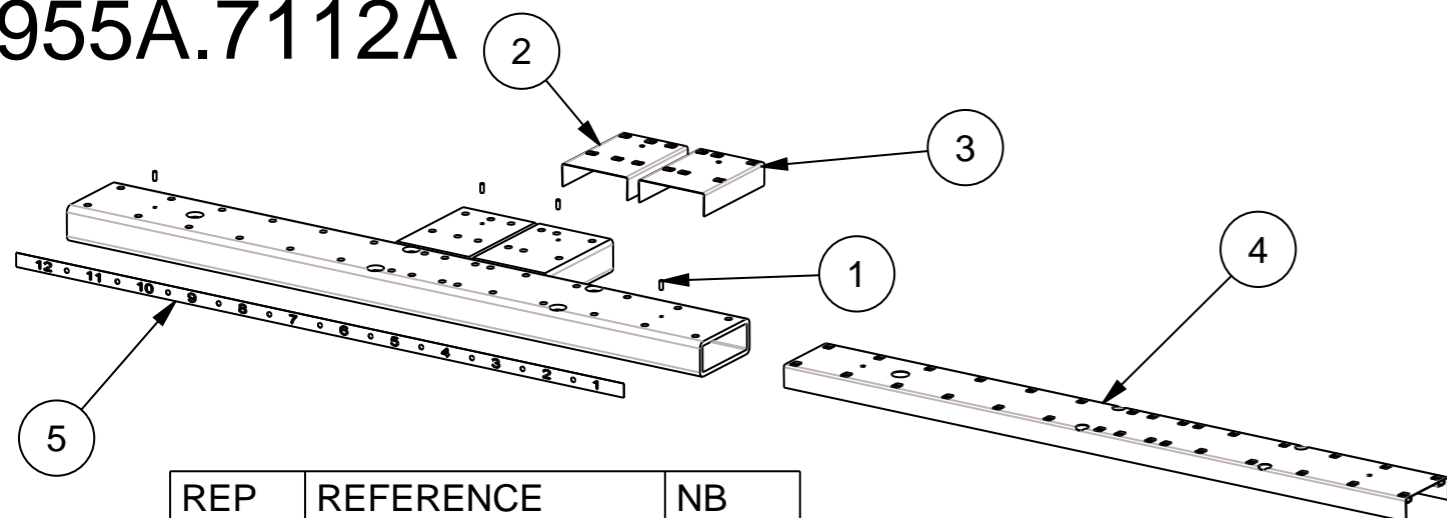


REP	REFERENCE	PDS	NB
1	955.734	0,17	1
2	955713	0,16	22
3	911603Z	0,03	22
4	955A.7037C	14,59	2
5	955A.7112A	16,34	1
6	955A.7122B	16,34	1
7	955A.7142D	16,50	1
8	CLEFACOM83.8	0,08	1

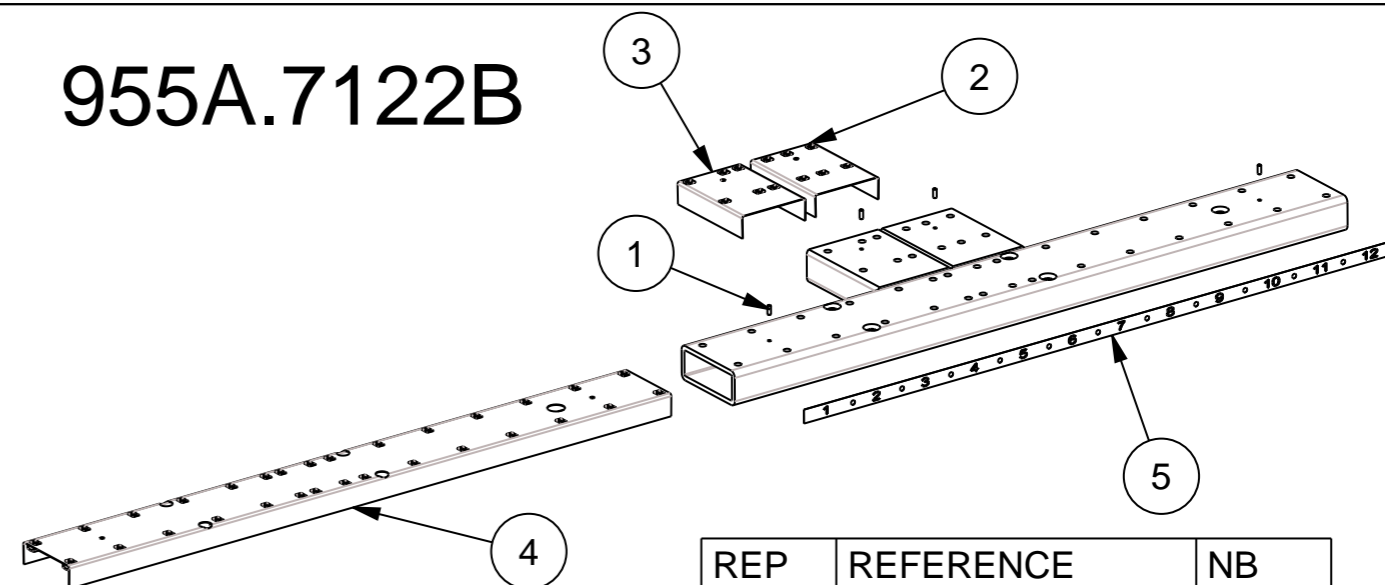
<h1>955A.9012</h1>			
83kg	07-11-13	955A.9012-RVA4-1	00

955A.7112A



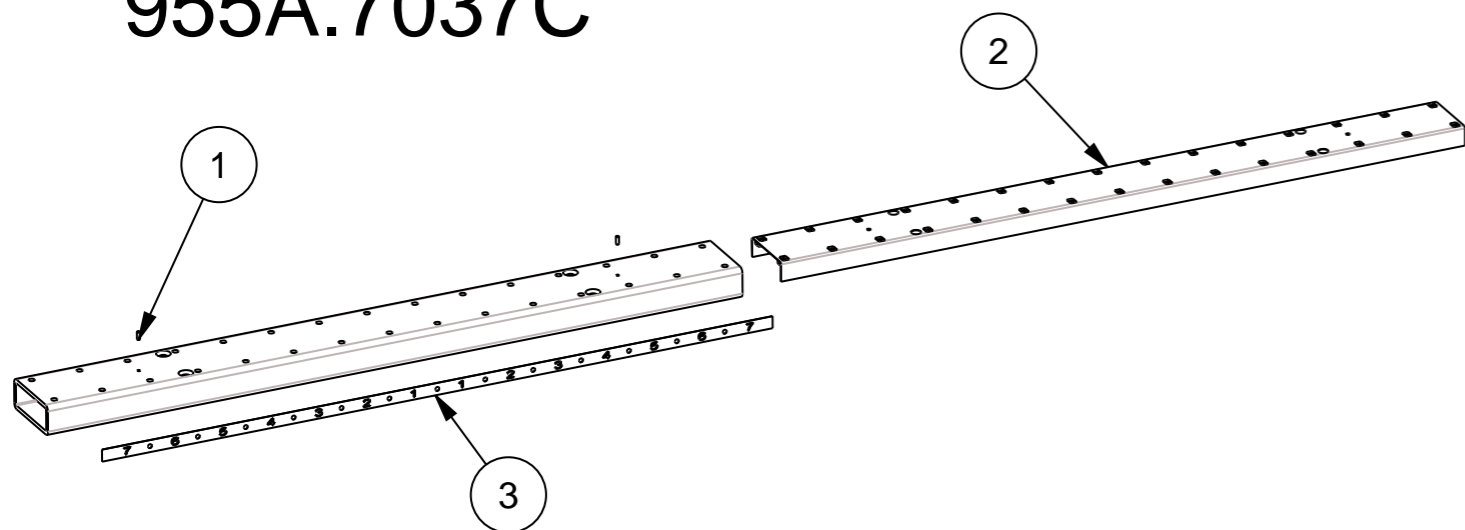
REP	REFERENCE	NB
1	7306X016	4
2	955.3.01.03	1
3	955.3.01.04	1
4	955.3.11.01	1
5	955.701.1	1

955A.7122B



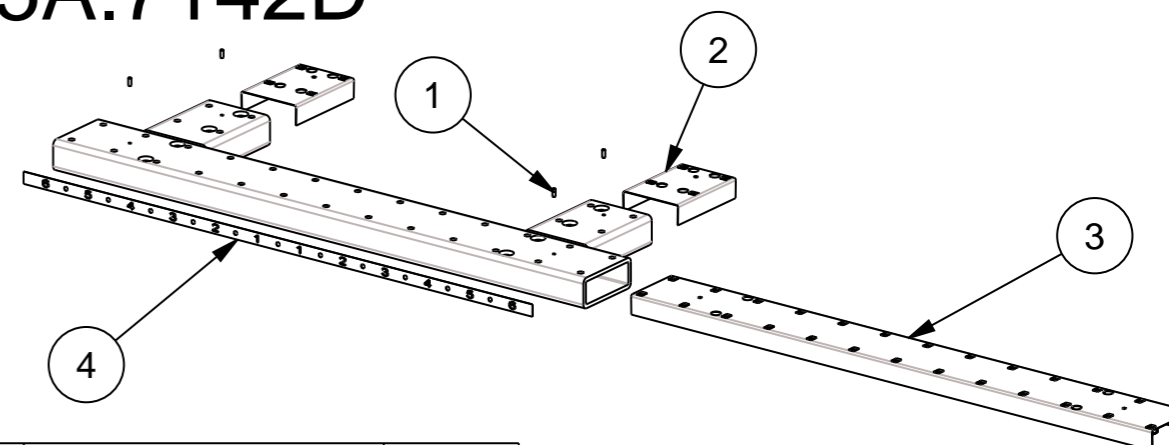
REP	REFERENCE	NB
1	7306X016	4
2	955.3.02.03	1
3	955.3.02.04	1
4	955.3.11.01	1
5	955.702.1	1

955A.7037C



REP	REFERENCE	NB
1	7306X016	2
2	955.3.13.01	1
3	955.703.1	1

955A.7142D



REP	REFERENCE	NB
1	7306X016	4
2	955.3.01.02	2
3	955.3.14.01	1
4	955.704.1	1