

CAMELEON ▶



A NEW CONCEPT FOR STRUCTURAL REPAIR AND
MEASUREMENT OF DAMAGED VEHICLES



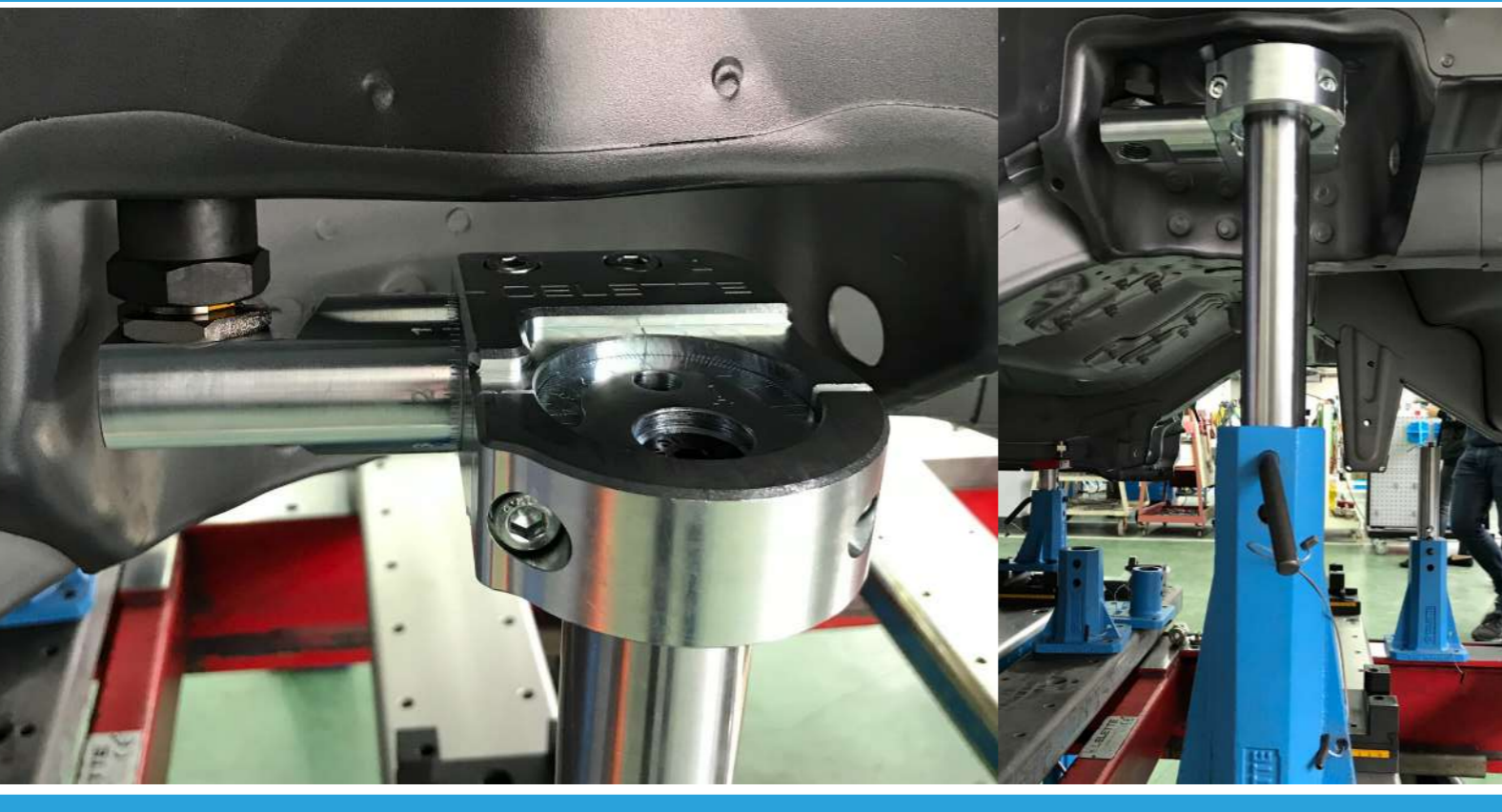
CAMELEON

Customizable fixture solution - Universal | Adjustable

REF NO: CAM01.102 | CAM02.142 | CAM02.162



A New concept for structural repair and measurement of damaged vehicles. Cameleon offers a complete and accurate structural repair solution for all the existing and future vehicles without the need for additional tools.



- ▶ **Online 3D software** ensures UP-TO-DATE vehicle database all the time
- ▶ Intuitive assembly layout facilitates quick construction of Cameleon fixtures
- ▶ No compromise in the accuracy level of repair
- ▶ Complete solution for measuring/diagnosis, anchoring, re-construction and repair with a unique technique for all the vehicles in the segment
- ▶ Facilitates the use of existing Celette benches, cross members, MZ towers and MZ+ pistons
- ▶ User-friendly software interface enables faster learning by body technicians
- ▶ Twice as efficient in terms of productivity compared to electronic measuring systems and so-called universal jig systems

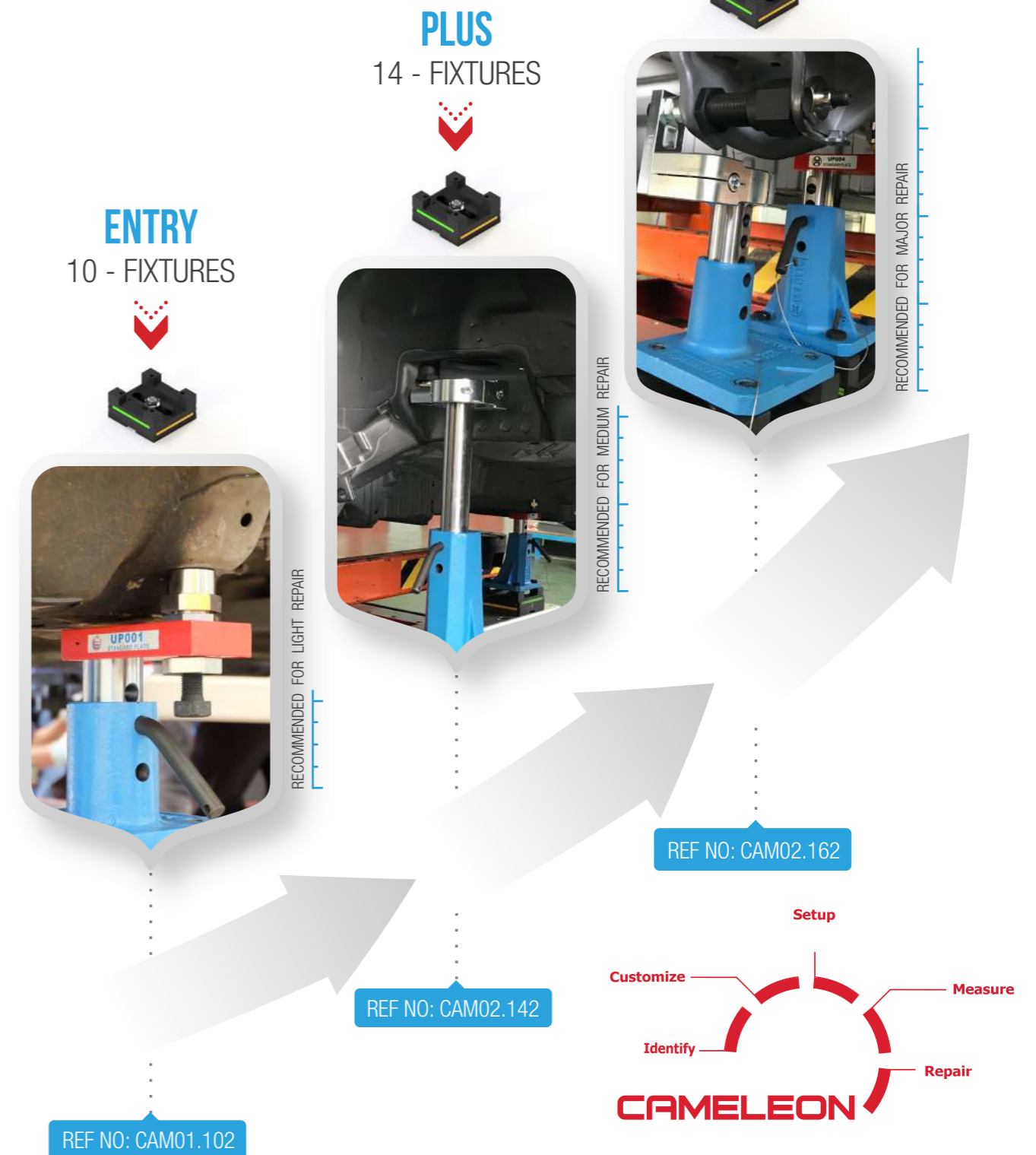
CAMELEON

Customizable fixture solution - Universal | Adjustable

REF NO: CAM01.102 | CAM02.142 | CAM02.162



Build your own **JIGS** with **OEM 3D CAD** coordinates - Celette certified repair with Cameleon



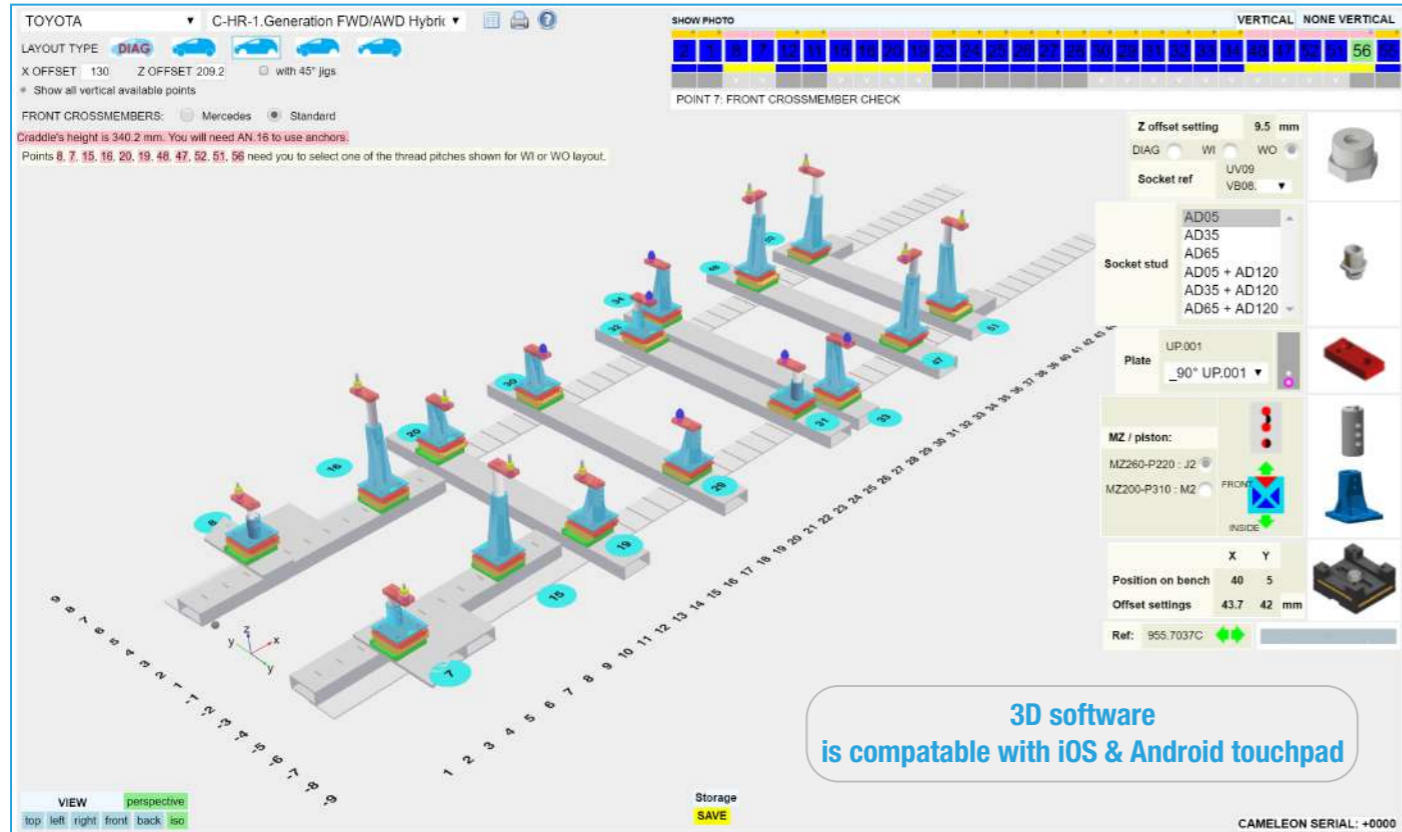
CAMELEON

Customizable fixture solution - Universal | Adjustable

REF NO: CAM01.102 | CAM02.142 | CAM02.162



USER INTERFACE - ISOMETRIC [3D] VIEW



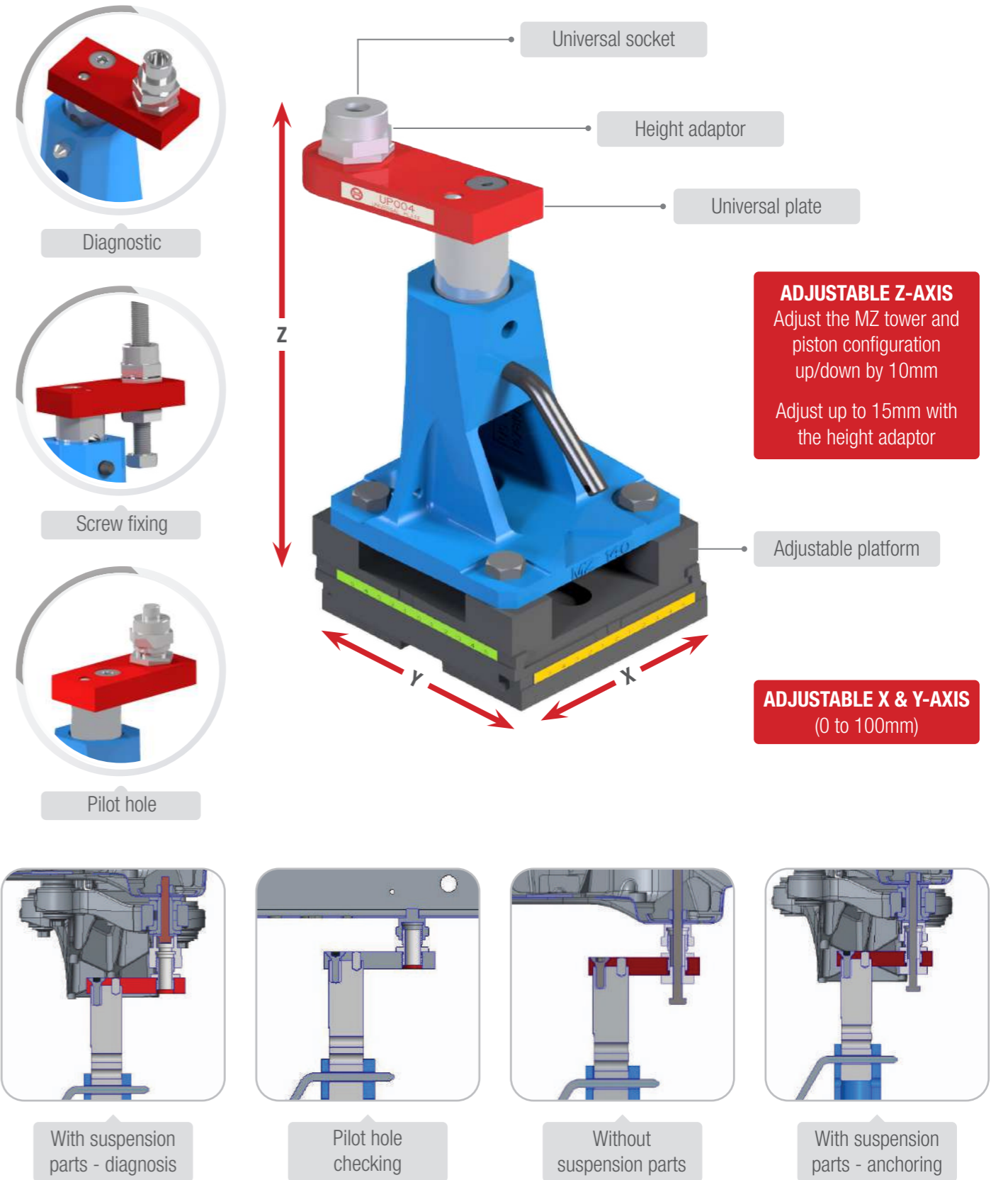
PREMIUM / PLUS



CAMELEON

Customizable fixture solution - Universal | Adjustable

REF NO: CAM01.102 | CAM02.142 | CAM02.162



CAMELEON

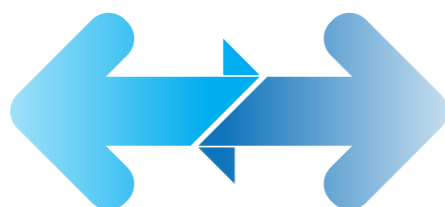
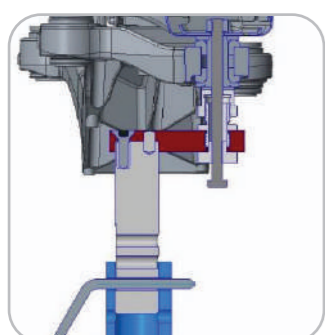
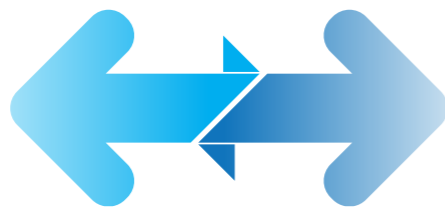
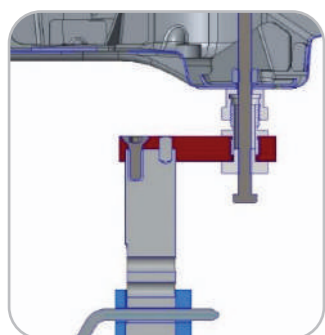
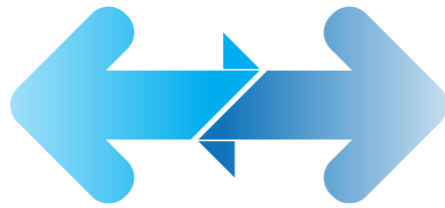
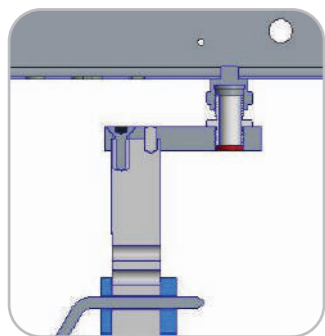
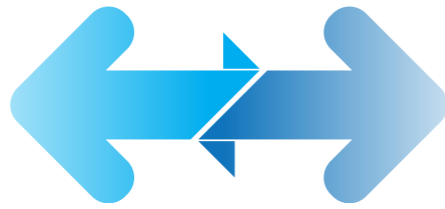
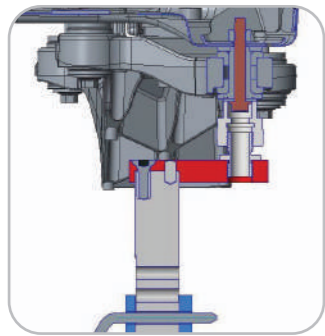
Customizable fixture solution - Universal | Adjustable

REF NO: CAM01.102 | CAM02.142 | CAM02.162



DIAGNOSTIC | POSITIONING | ANCHORING

All what you need to perform an OEM recommended repair process



CAMELEON

Customizable fixture solution - Universal | Adjustable

REF NO: CAM01.102 | CAM02.142 | CAM02.162



ADDITIONAL HOLDING DEVICE
STANDARD SCOPE OF SUPPLY WITH
ALL VARIANTS OF CAMELEON



CAMELEON ENTRY

CAM02.066
ADD-ON KIT TO CAMELEON PREMIUM
CAM02.042
ADD-ON KIT TO CAMELEON PLUS

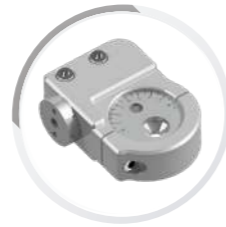


ALL THE COMPONENTS ARE
ERGONOMICALLY PLACED INSIDE THE
TROLLEY FOR MANEUVERABILITY

CAMELEON

Customizable fixture solution - Universal | Adjustable

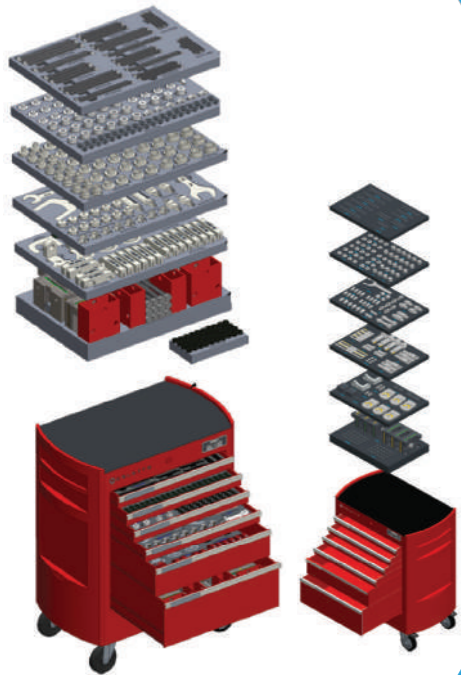
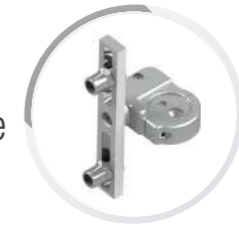
REF NO: CAM01.102 | CAM02.142 | CAM02.162



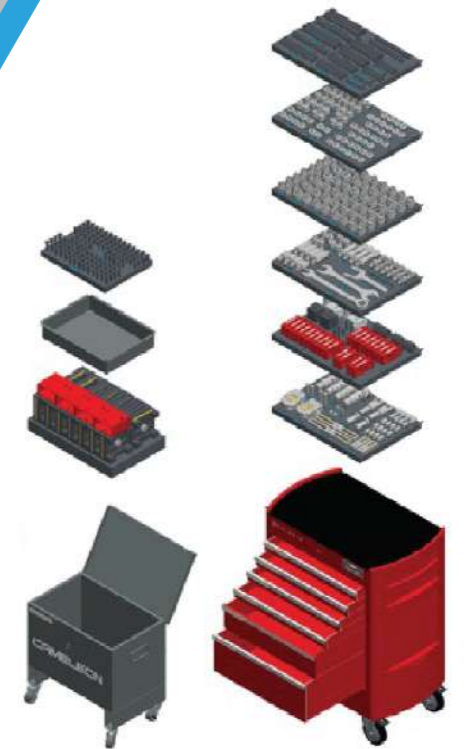
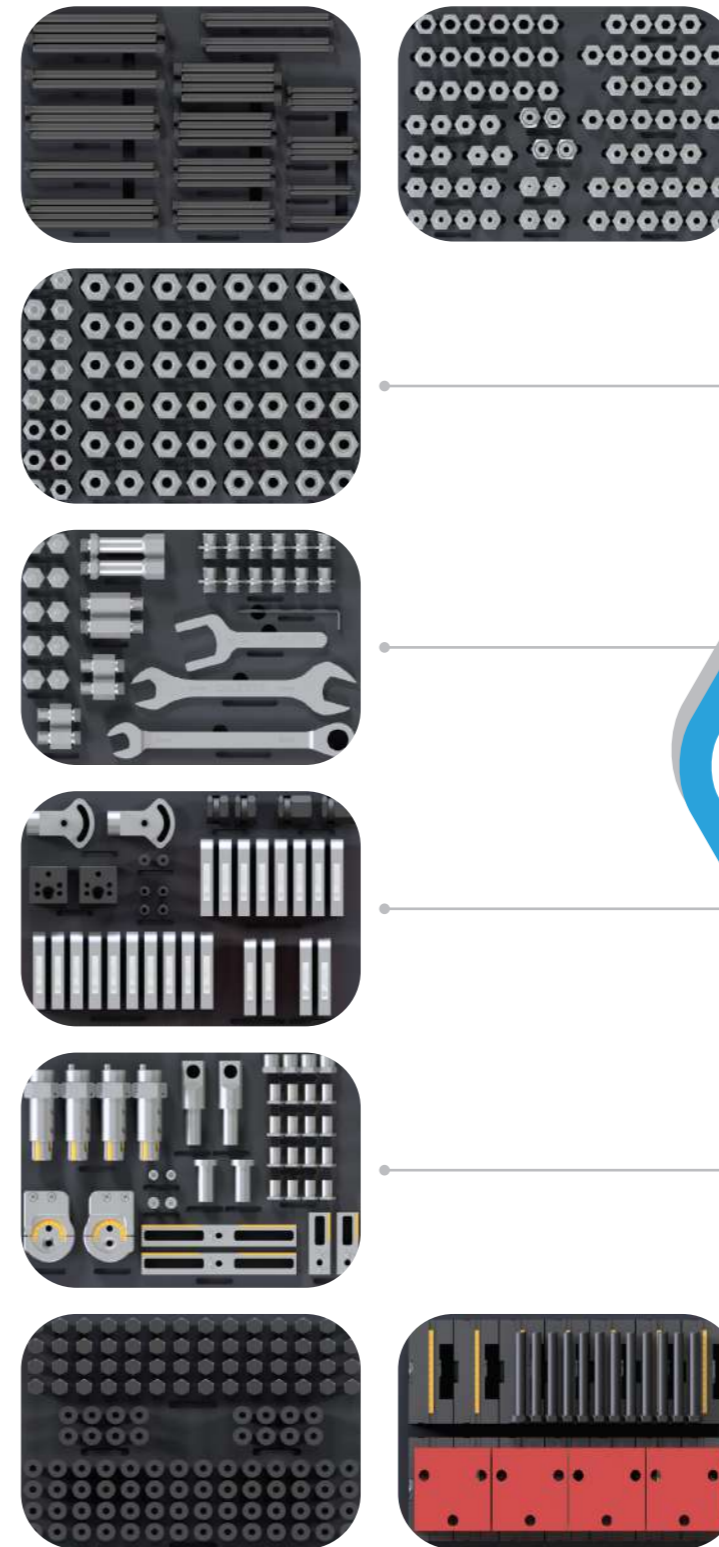
CAMELEON

Customizable fixture solution - Universal | Adjustable

REF NO: CAM01.102 | CAM02.142 | CAM02.162



CAM02.162



CAM02.142

CAMELEON PREMIUM

CAMELEON PLUS

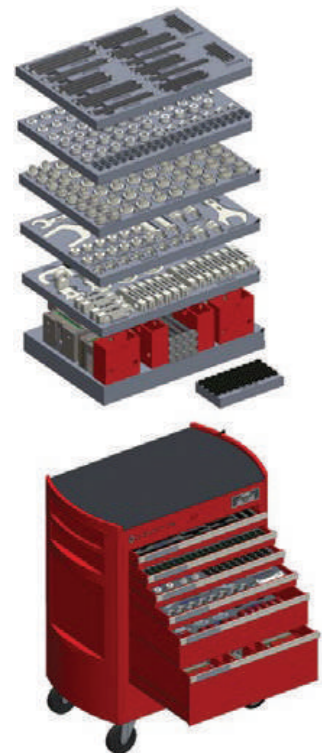
CAMELEON

Customizable fixture solution - Universal | Adjustable

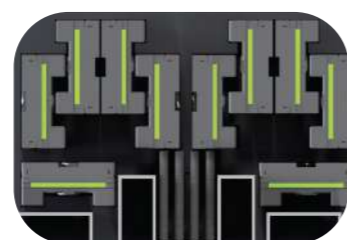
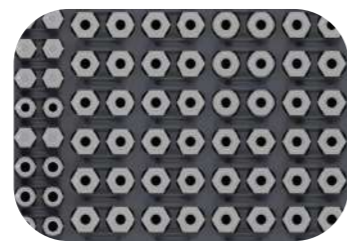
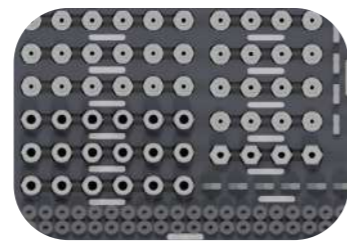
REF NO: CAM01.102 | CAM02.142 | CAM02.162



ONLY WITH PLUS & PREMIUM VARIANTS



CAM01.102



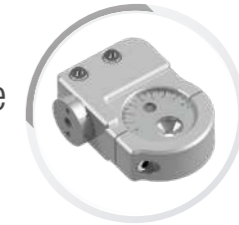
CAMELEON
ENTRY



CAMELEON

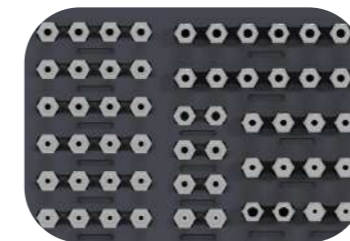
Customizable fixture solution - Universal | Adjustable

REF NO: CAM01.102 | CAM02.142 | CAM02.162



UPGRADE TO PLUS VARIANT REF NO: CAM02.042

UPGRADE TO PREMIUM VARIANT REF NO: CAM02.066



CAM02.042

CAM02.066

CAMELEON
ADD-ON KIT


◀ CAMELEON





CELETTE FRANCE SAS

3, Avenue Marcellin Berthelot 38200 Vienne – France

 +33 474 575 959

 contact@celette.com

 www.celette.com

