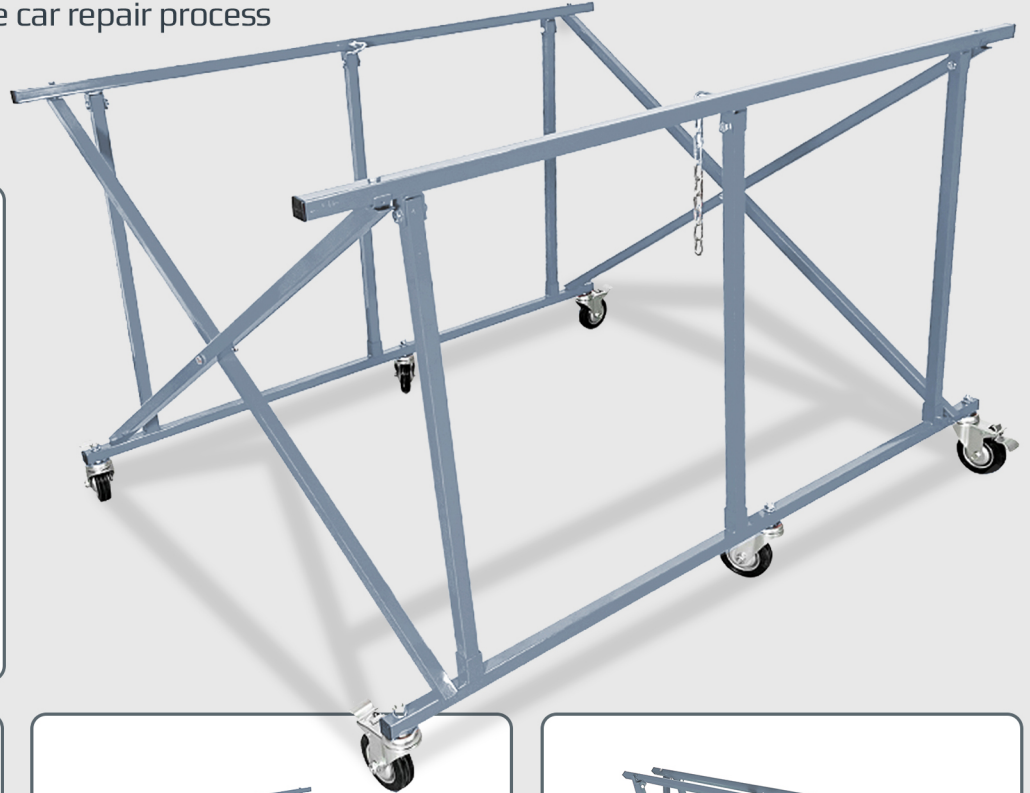


CAM

TRUCK BED DOLLY

PRODUCT CODE: CAM1202

The CAM Truck Bed Dolly is an essential tool for any workshop or collision repair centre. Designed for ease and efficiency, it effortlessly transports large parts such as ute tubs, canopies, and lids, and securely holds panels and bonnets. Built with a durable steel frame and a powder-coated finish for lasting strength, this dolly is maneuverable on wheels that can be locked and folds up easily for compact storage, simplifying the car repair process and saving valuable floor space when not in use.



- For ute tubs, canopies and lids, and also holds panels and bonnets
- Folds up easily for compact storage
- Safe locking ring to securely fold up the dolly
- Swivel casters for smooth movement over rough floors

- Steel frame with a durable powder-coated finish
- Colour: Grey
- Dimensions: 122W x 152.5L x 91.5H cm
- Max. Load Capacity: 365 kg
- 6 x 4-inch PU casters (with brakes)

SYDNEY: (02) 9772 9097
NEWCASTLE: (02) 4957 8588
GOSFORD: (02) 4323 3636
CANBERRA: (02) 6280 6848
BRISBANE: (07) 3318 2400

GOLD COAST: (07) 5591 1922
BURPENGARY: (07) 3889 6868
HERVEY BAY: 0421 564 071
WARRAGUL: (03) 5623 3490
WEB: SAPEGROUP.COM.AU

